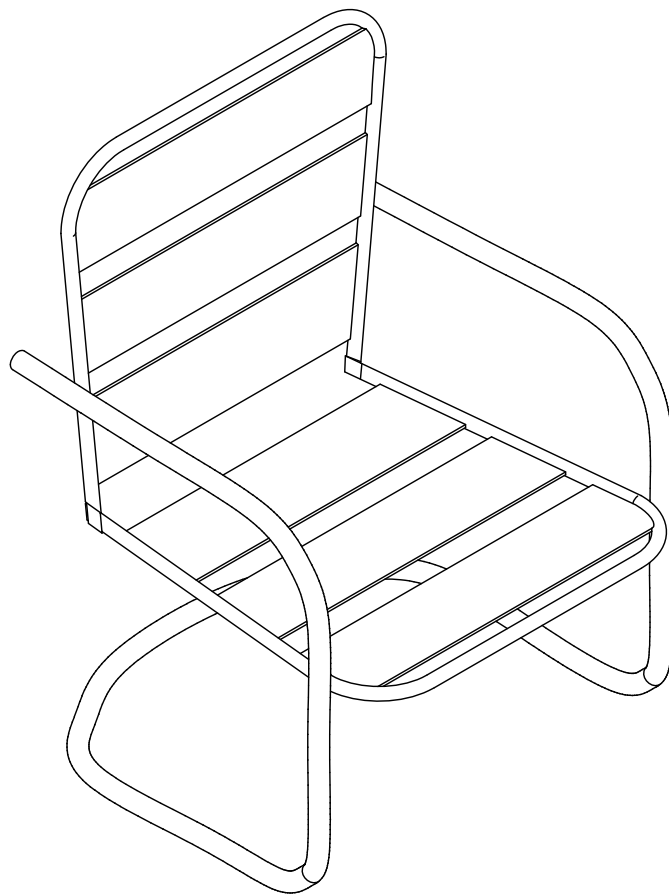


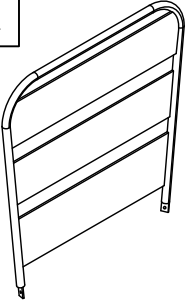
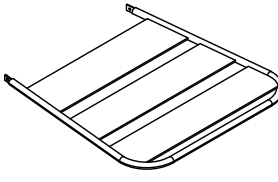
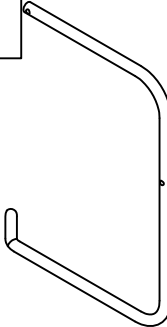
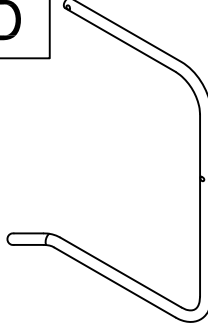
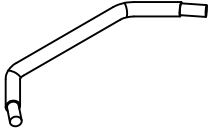


Metal Chair

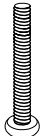



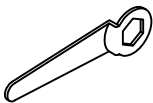



CO1030



# PART LIST

<b>A</b> 	<b>B</b> 	<b>C</b> 	<b>D</b> 	<b>E</b> 
Chair Back 1 PC	Chair Seat 1 PC	Left Support Leg 1 PC	Right Support Leg 1 PC	Leg Connector 1 PC

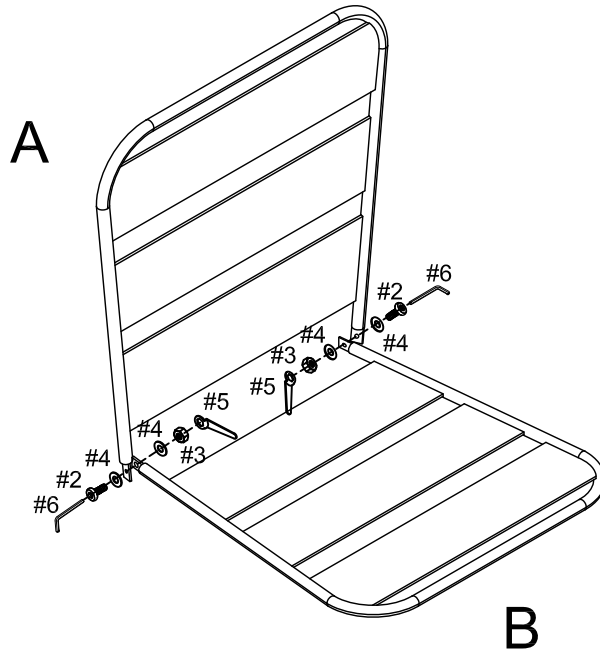
# HARDWARE LIST






<b>#1</b> 	<b>#2</b> 	<b>#3</b> 	<b>#4</b> 	<b>#5</b> 
M6X62mm  Long Bolt 4 PCS (Extra 1)	M6X13mm  Short Bolt 2 PCS (Extra 1)	Hex Nut 6 PCS (Extra 2)	Flat Washer 8 PCS (Extra 4)	Wrench 1 PC
<b>#6</b> 	<b>#7</b> 	<b>#8</b> 		
Allen Wrench 1 PC	Plastic Washer 4 PCS	Round Plastic Washer 4 PCS		

NOTE: We recommend at least two people work together to assemble unit.

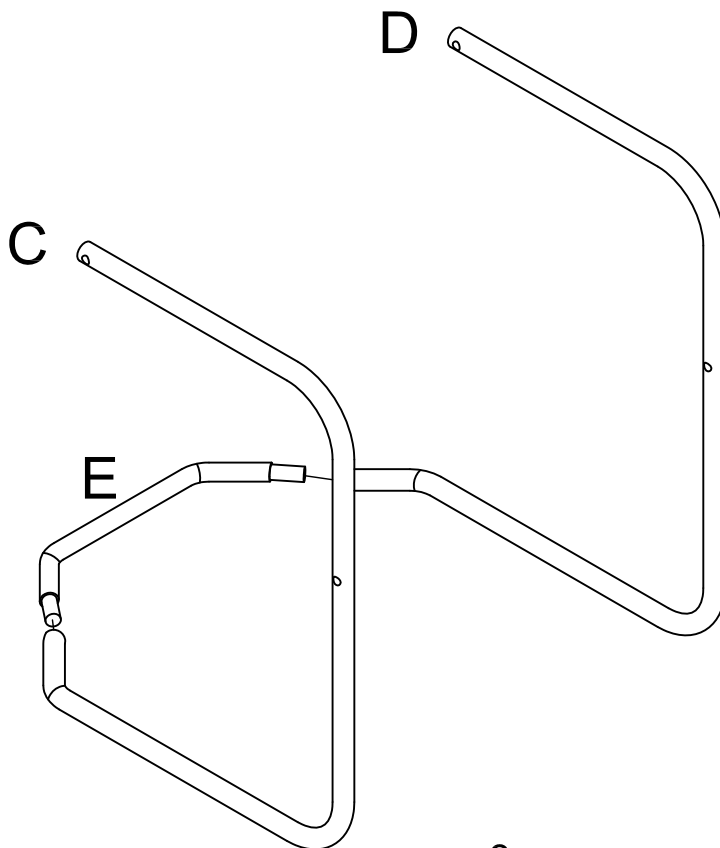
Step 1. Lay chair seat (part B) down on a soft flat surface, such as carpet, as shown below. Attach chair back (part A) to chair seat (part B) using short bolts (part #2), hex nuts (part #3), flat washers (part #4), wrench (part #5) and allen wrench (part #6).

NOTE: Please do not fully tighten bolts until unit is fully assembled.



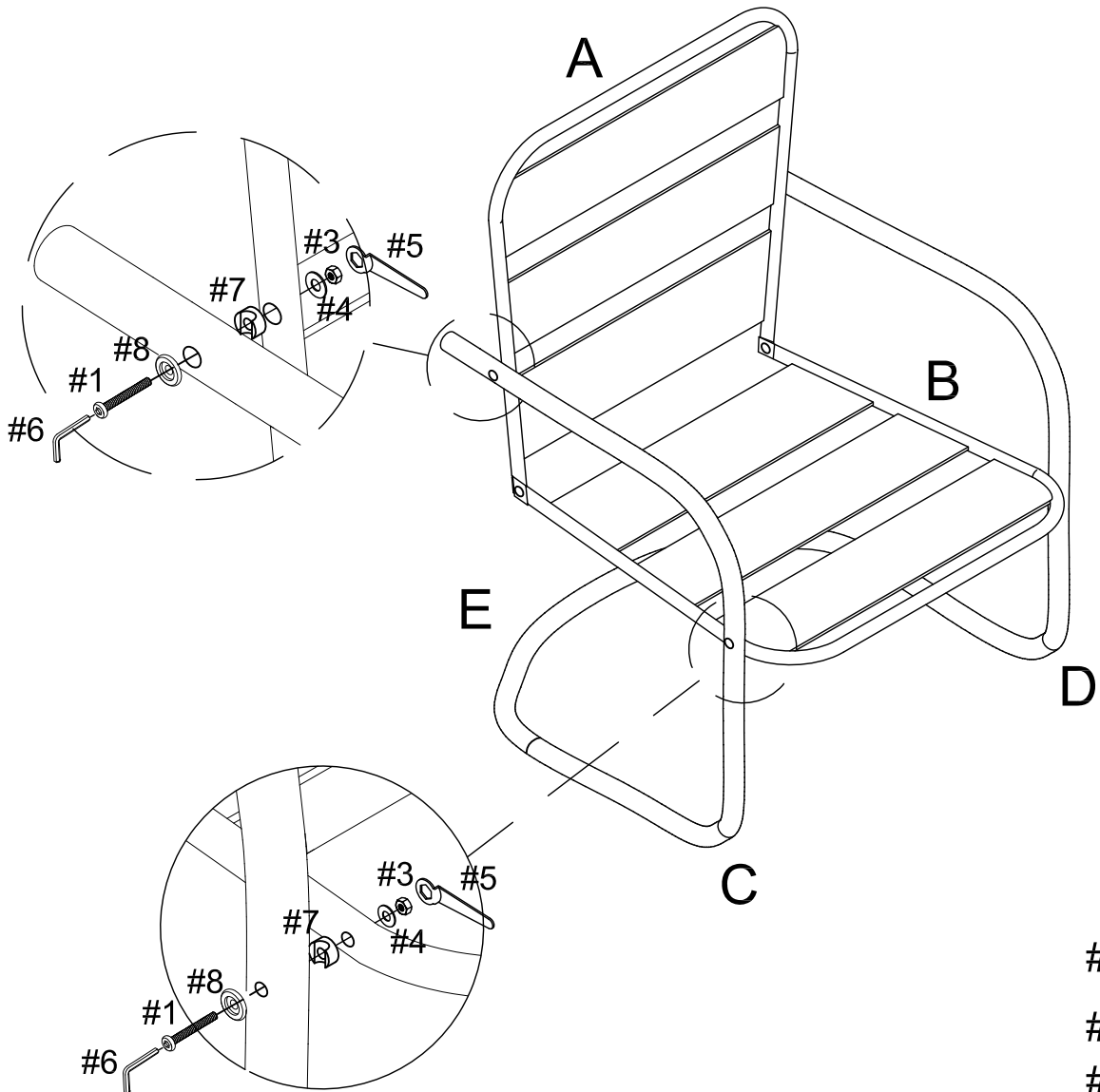
#2		X 2
#3		X 2
#4		X 4
#5		X 1
#6		X 1








Step 2. Attach left support leg (part C) and right support leg (part D) to leg connector (part E).



Step 3. Attach support legs (parts C & D) to chair back (part A) and chair seat (part B) using long bolts (part #1), Round Plastic Washer (part #8), hex nuts (part #3), flat washers (part #4), plastic washers (part #7), wrench (part #5) and allen wrench (part #6).

NOTE: Please fully tighten all bolts at this time.



- #1  X 4
- #3  X 4
- #4  X 4
- #5  X 1
- #6  X 1
- #7  X 4
- #8  X 4